

ISO 9001
BUREAU VERITAS
Certification



PRESSURIZED TANKER EQUIPMENT CATALOGUE 2012



eQUIPTaNK

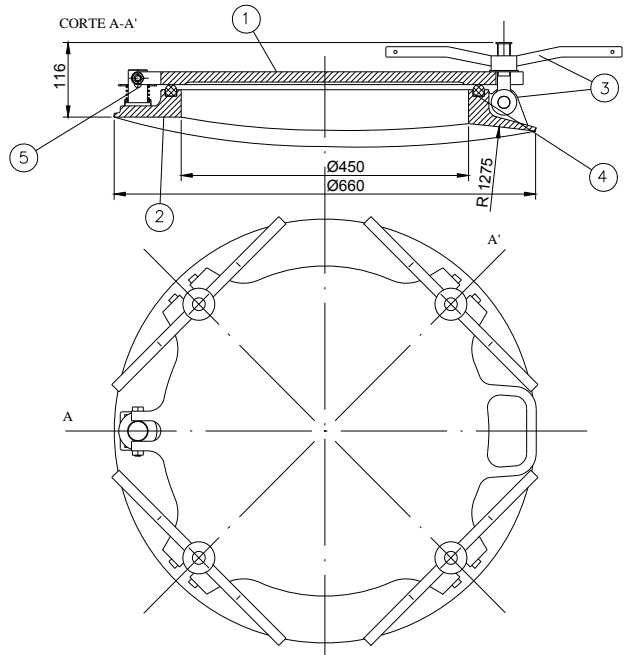


Contents

* Dry Bulk Manhole Cover.....	3
* Dry Bulk Valves.....	4
* Stainles Steel Manhole Covers	6
* Carbon Steel Manhole Covers.....	8
* Stainless Steel Releif Valves.....	9
* Stainles Steel Bottom Valve	12

DN450 Dry Bulk Manlid

Art. 30 10 00



MATERIALS:

- 1 - Cover → Treated aluminium casting.
- 2 - Colar ring → Aluminium casting.
- 3 - Closures → Stainless steel.
- 4 - Gasket → White rubber.
- 5 - Hinge → Stainless steel.

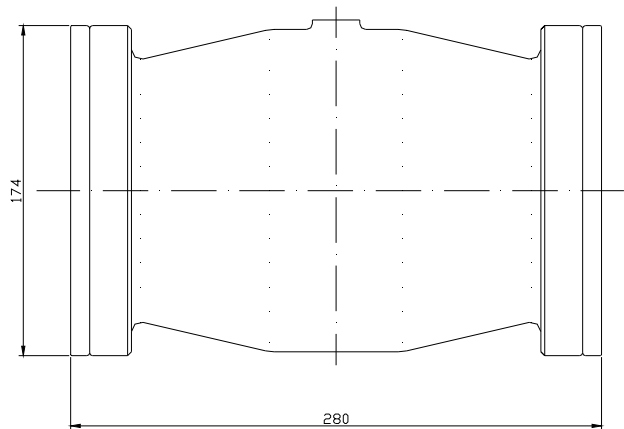
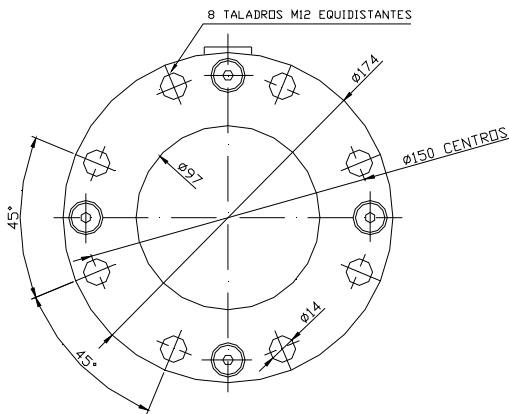
TEST PRESSURE: 300 kPa.



4" Pneumatic Dry Bulk Valve

Art. VDN100B

DN100 pneumatic discharge valve, designed for abrasive and fibrous products like cement and powders in general.



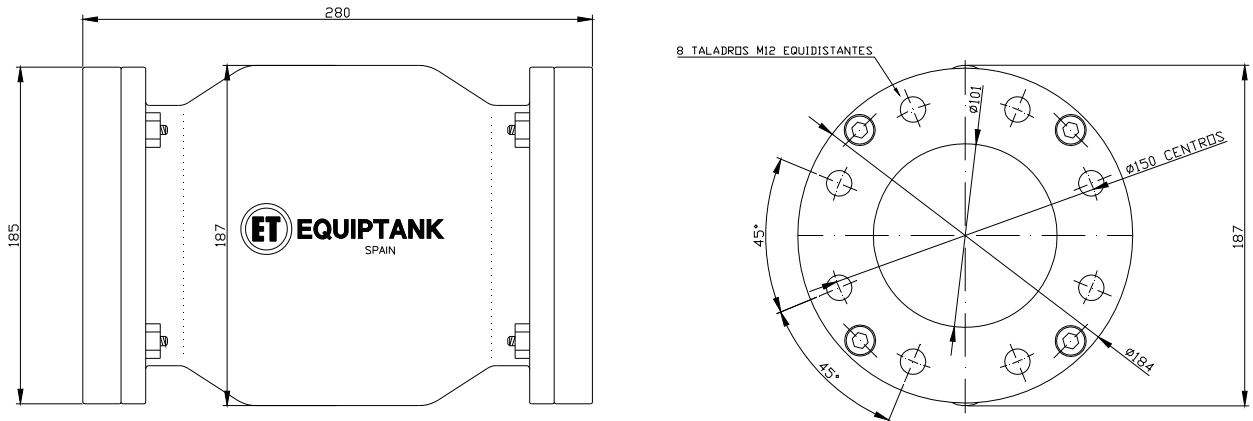
MATERIALS:

Body of light aluminium alloy.
Gasket of natural rubber.
Flanges of carbon steel.

4" Pneumatic Dry Bulk Valve

Art. VDNA100

DN100 pneumatic discharge valve, designed for abrasive and fibrous products like cement and powders in general.

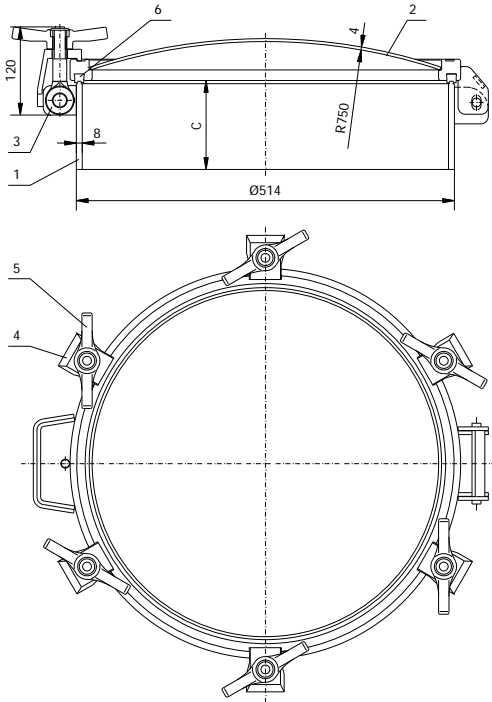


MATERIALS:

Body of light aluminium alloy.
Gasket of natural rubber.
Flanges of light aluminium alloy.

DN500 Stainless Steel Manlid

Art. 50 Series



CHARACTERISTICS:

Main constructive elements are of AISI-316L stainless steel.

Test pressure is of 400 kPa.

Cover incorporates 6 closures.

MATERIALS:

- 1 - Collar → AISI-316L
- 2 - Cover → AISI-316L
- 3 - Spindle → AISI-316L
- 4 - Staple → AISI-316L
- 5 - Handle → Latón
- 6 - Gasket → Ver cuadro

Art. Cover	Collar length	C. thickness
50 08 00	No collar	-----
50 18 00	100 mm	8 mm
50 38 00	140 mm	8 mm
50 28 00	200 mm	8 mm
50 48 00	240 mm	8 mm
50 58 00	340 mm	8 mm

GASKET MATERIAL OPTIONS:

Stándard:

Packed Braided fibre / PTFE

Optional:

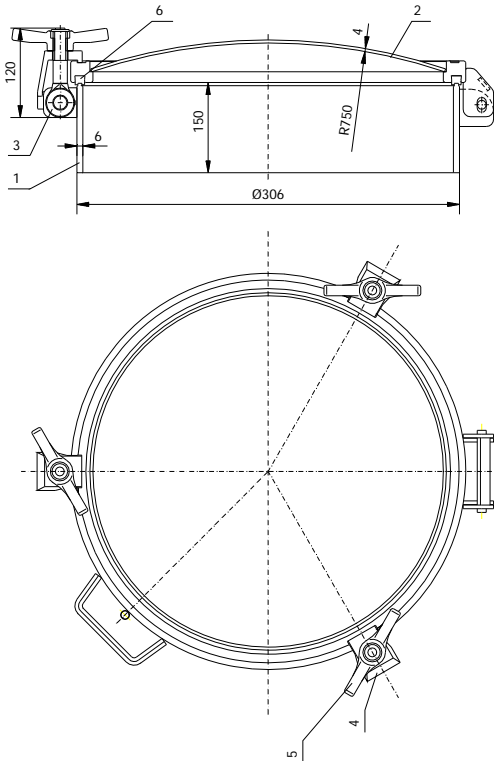
- Rubber NBR
- Rubber cloroplano
- Rubber EPDM
- Rubber fluoroelastomer
- Rubber Hypalon

OPTIONS:

- Stainless steel handles.
- 4 closure cover.
- 8 closure cover.

DN 300 Stainless Steel Manlid

Art. 53 36 00



MATERIALS:

- 1 - Collar → AISI-316L
- 2 - Cover → AISI-316L
- 3 - Spindle → AISI-316L
- 4 - Staple → AISI-316L
- 5 - Handle → Brass
- 6 - Gasket → Packed braided fibre / PTFE

CHARACTERISTICS:

Main constructive elements are of AISI-316L stainless steel.

Test pressure is of 400 kPa.

Cover incorporates 3 closures.

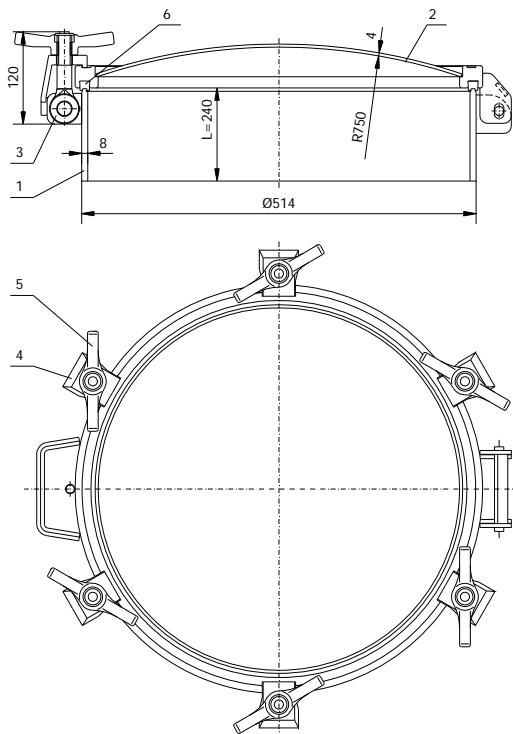
Collar of 150x6 mm.

OPTIONS:

Stainless steel handles.

DN500 Carbon Steel Manlid

Art. 55 48 00



MATERIALS:

- 1 Collar → Carbon steel
- 2 Cover → Carbon steel
- 3 Spindle → AISI-316L
- 4 Staple → AISI-316L
- 5 Handle → Brass
- 6 Gasket → Anti gasoline rubber

CHARACTERISTICS:

- Test pressure is of 400 KPa.
- Cover incorporates 6 closures.
- Collar of 240x8 mm.

OPTIONS:

- Stainless steel handles.
- Other collar lengths are available under request.
- Other gasket materials are available under request.

1,5" Stainless Steel Relief Valve

Art. VSI40PV



Weight: 1,8 Kg

CHARACTERISTICS:

External location.

1,5" BSP threaded

MATERIALS:

Body and components of AISI-316 stainless steel.

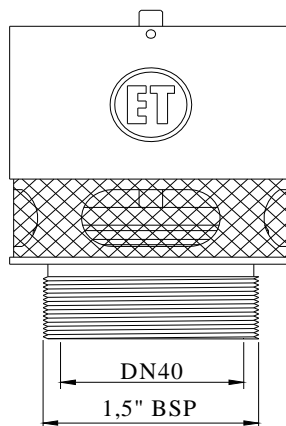
Gaskets of fluoroelastomer.

FUNCTIONS:

Pressure 0,140 bar.

Vaccum 0,03 bar.

Other calibrations under request.



2" Stainless Steel Relief Valve

Art. VSI50PV



Weight: 1,8 Kg

CHARACTERISTICS:

External location.

2" BSP threaded

MATERIALS:

Body and components of AISI-316 stainless steel.

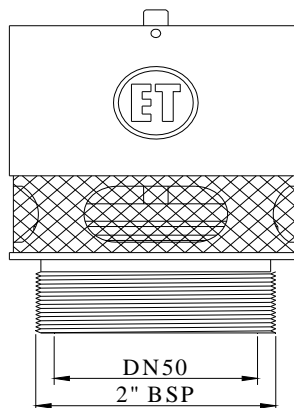
Gaskets of fluoroelastomer.

FUNCTIONS:

Pressure 0,140 bar.

Vaccum 0,03 bar.

Other calibrations under request.



2,5" Stainless Steel Relief Valve

Art. VSI65PV



Weight: 1,8 Kg

CHARACTERISTICS:

External location.

2,5" BSP threaded

MATERIALS:

Body and components of AISI-316 stainless steel.

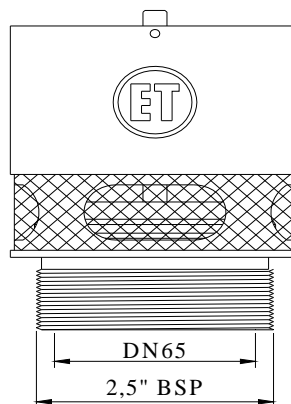
Gaskets of fluoroelastomer.

FUNCTIONS:

Pressure 0,140 bar.

Vaccum 0,03 bar.

Other calibrations under request.



4" Stainless Steel Mechanical Bottom Valve

Art. 98 00 00



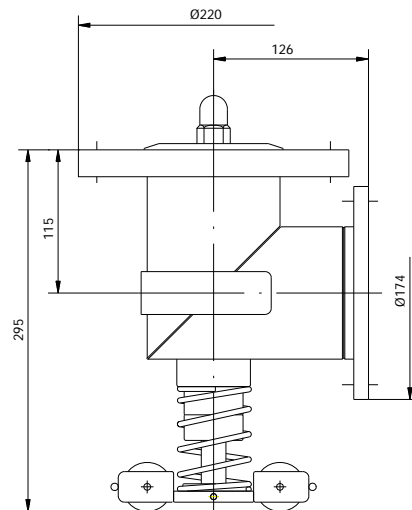
MATERIALS:

Main components in AISI-316

Actuators in AISI-304

Galvanized steel spring.

PTFE Gasket.

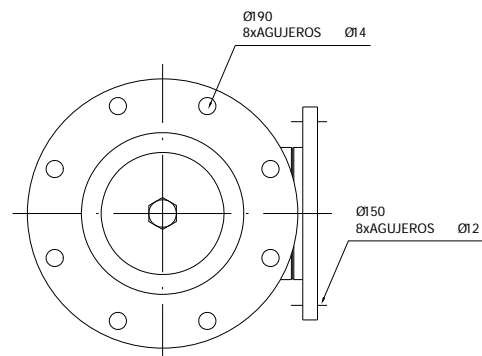


CHARACTERISTICS:

Mechanical drive.

External closing system.

Collar with breaking groove.





The specifications in this catalog are for reference only and may contain typographical errors. The company reserves the right to alter product specifications without notice.

